

FISHER & PAYKEL

SPECIFICATION GUIDE

DOUBLE DISHDRAWER™ DISHWASHER, TALL, SANITIZE SERIES 7, CONTEMPORARY STYLE



OVERVIEW

Doing the dishes got easier. Load one drawer while the other washes - with the top drawer fitting your large dinner plates easily

MODELS

Double DishDrawer™ Dishwasher, Tall, Sanitize

Stainless Steel
DD24DCTX9 N

Double DishDrawer™ Dishwasher, Tall, Sanitize

Stainless Steel, Water Softner
DD24DCHTX9 N

Double DishDrawer™ Dishwasher, Tall, Sanitize

White
DD24DCTW9 N

Double DishDrawer™ Dishwasher, Tall, Sanitize

Black
DD24DCTB9 N

SERIES & STYLE

Series 7
Contemporary Style

FEATURES

- ① Six wash programs to suit any load, from Delicate to Heavy
- ② Flexible racking can be folded down to fit bigger dishes
- ③ Use both drawers independently, with the ability to select different wash programs
- ④ DishDrawer™ Dishwashers are designed to match the Fisher & Paykel family of kitchen appliances

ACCESORIES

- ① Two Cutlery basket
- ② Kickstrip

FISHER & PAYKEL

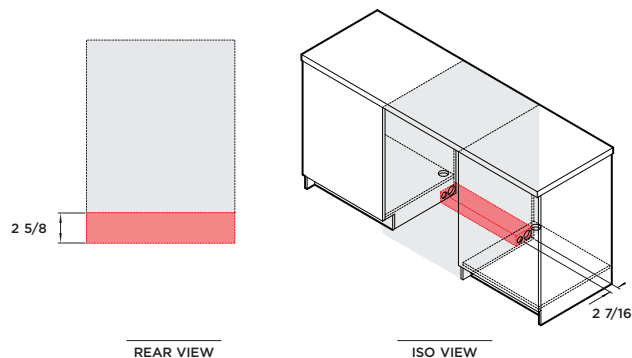
SPECIFICATION GUIDE

DOUBLE DISHDRAWER™ DISHWASHER, TALL, SANITIZE SERIES 7, CONTEMPORARY STYLE

SPECIFICATIONS

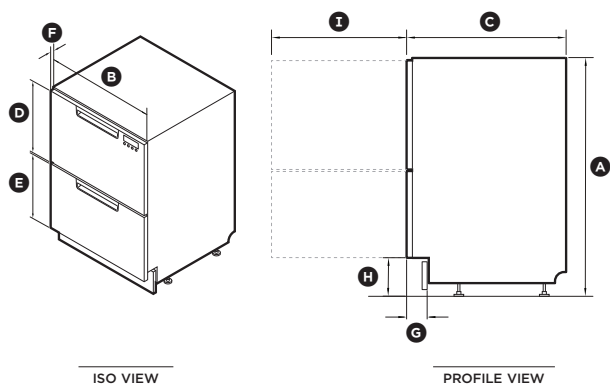
Model No.	DD24DCTX9 N, DD24DCHTX9 N, DD24DCTW9 N, DD24DCTB9 N
Dimensions	H 34" - 36 3/8" (864mm - 924mm) x W 23 9/16" (599mm) x D 22 9/16" (573mm)
Weight	
Electrical	
Supply	110-120V, 60Hz
Service	8.7A
Receptacle	3 prong grounding-type
Plumbing	
Supply	Supplied hose to suit 3/8" (9mm) male compression fitting
Pressure	Water softener models: max. 1 MPa (145 psi), min. 0.1 MPa (14.5 psi) Non-water softener models: max. 1 MPa (145 psi), min. 0.03 MPa (4.3 psi)

PLUMBING AND ELECTRICAL

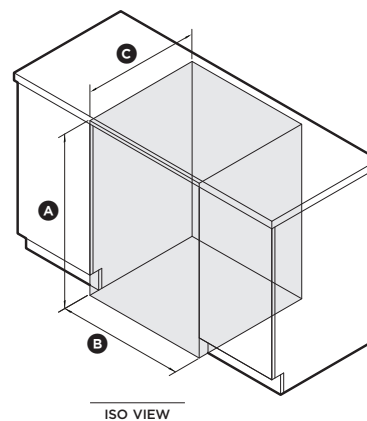


Service outlet at rear extends both sides, hoses and cords can be routed to either or both sides

PRODUCT DIMENSIONS



CAVITY DIMENSIONS: STANDARD INSTALLATION



	in	mm
Ⓐ Overall height*	34 - 36 3/8	864 - 924
Ⓑ Overall width	23 9/16	599
Ⓒ Overall depth	22 9/16	573
Ⓓ Height of upper front panel	17 3/16	437
Ⓔ Height of lower front panel	12 1/4	312
Ⓕ Depth of front panels	13/16	20
Ⓖ Depth of toe kick recess	1 1/2 - 4	38 - 102
Ⓗ Height from floor to front panel base*	1 1/2 - 4	72 - 127
Ⓘ Depth of open drawer	21 9/16	547

*Depending on adjustment of levelling feet

	in	mm
Ⓐ Overall height*	min 34	min 864
Ⓑ Overall width	23 5/8	600
Ⓒ Overall depth**	22 13/16	580

*Depending on adjustment of levelling feet

**Includes front panels